

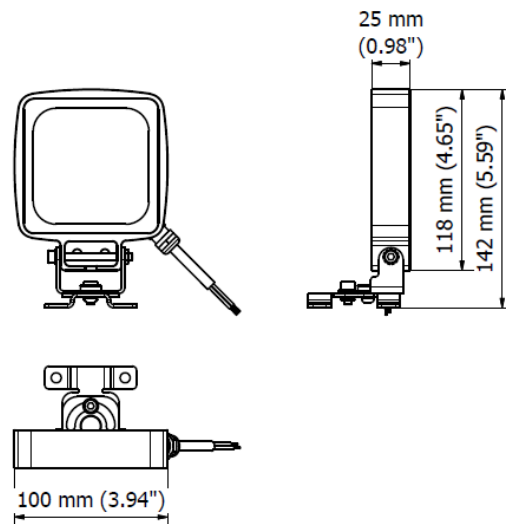
SIRIO Q RADIANT LED WORK LIGHT



Sirio Q is the 4in2 (100 mm²) industrial-grade light bar applicable for tractors, trucks, trailers, off-road vehicles, and earth-moving machines. With 1750 lumen, Sirio Q is the most efficient and bright LED work light existing at present. Sirio Q is designed with a machine-made aluminum head combined with a pan & tilt very flexible stainless-steel bracket, allowing to adjust the light in any direction. The hardened front glass and the two optic options with 40° or 60° opening angles provide an intense illumination onto the work area up to 1600 lux from a 3-2/3 ft. distance. Sirio is equipped with high-power LEDs providing natural white light at 5000 K, CRI 80, and creating a very comfortable work environment. Sirio Q is the LED work light luminaire certified with the IP67, IP69 protection rating and is even suitable for wet environments with oil, coolants, lubricants, and dust. With two standard models, Sirio Q allows a secure, fast, and easy electrical junction to 12 - 24 Vdc with the traditional 10-foot cord.

- Anodized Aluminum Machine-made housing
- Hardened glass front protection resistant to debris impact
- 5000 K CRI 80 High Power Led for intense and uniform illumination
- IP 67, IP69 suitable for wet location and presence of coolant lubricant and Dust
- Plug-in to 12-24 Vdc with 10-foot cord
- Two optics 40° - 60° opening Angle
- SRQFX01 Pan & Tilt head adjustment for a precise light adjustment

DIMENSIONS



MECHANICAL FEATURES

Model	SR0921Q05	SR0921Q0501	SR0921Q06	SR0921Q0601
Casing Material	Anodized aluminum			
Side Caps	-			
Surface Treatment	Natural Aluminum Anodization			
Front Glass	0.16" (4 mm). thick, Hardened glass			
Weight	~0,64 kg -1.40 lbs.	~0,75 kg - 1.65 lbs.	~0,64 kg - 1.40 lbs.	~0,75 kg – 1.65 lbs.
Protection Index	IP67, IP 69 Compatible with NEMA Type 12			
Impact Resistance	1.00 N m/s			
Operating Temperature	04 °F (-20 °C) to +113 °F (+ 45 °C)			
Mounting	Bracket not included	Bracket SRQFX01	Bracket not included	Bracket SRQFX01
Installation	Wet location locations /Cabinet Surface Mount			

ELECTRICAL FEATURES

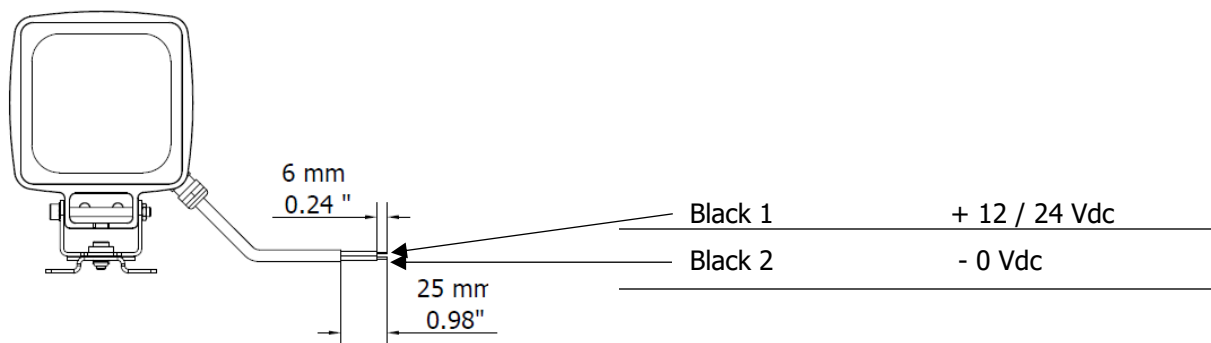
Model	SR0921Q05	SR0921Q0501	SR0921Q06	SR0921Q0601
Power Input	16 W (@ 500 mA)			
Power Supply	12-24 Vdc			
Current	1,39 A (@12 Vdc) / 0,66 A (@24 Vdc)		1,39 A (@12 Vdc) / 0,66 A (@24 Vdc)	
Device Protection	Voltage Spike with built-in transient Voltage Suppression Diode			
Electrical Connection	Cable L. 10 ft (3 m)			
Insulation Class	Class III			
Efficiency Class	A/A+/A++/A+++ (Integrated LED module) compliant with UE Law No. 874/2012			

CONNECTION

Power Cord 2x18 AWG - 2x0.75 mm² L= 10 ft. (3 m)

Wire

Connection



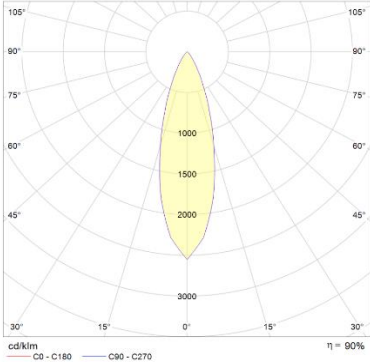
OPTICAL FEATURES

Model	N° and Led Type	LED Lifespan	Light Color	CRI	Light Beam Angle	Luminous Flux	Efficiency
SR0921Q05	9 Power LED	60 000 h L70 **	5,000 K	80	40 ° Optics	~ 1750 lm	~ 109 lm/W
SR0921Q0501	9 Power LED	60 000 h L70 **	5,000 K	80	40 ° Optics	~ 1750 lm	~ 109 lm/W
SR0921Q06	9 Power LED	60 000 h L70 **	5,000 K	80	60 ° Optics	~ 1450 lm	~ 90 lm/W
SR0921Q0601	9 Power LED	60 000 h L70 **	5,000 K	80	60 ° Optics	~ 1450 lm	~ 90 lm/W

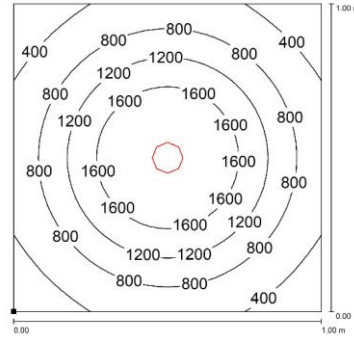
** Flow beam reduced by less than 30% after 60,000 hours

PHOTOMETRIC DIAGRAMS

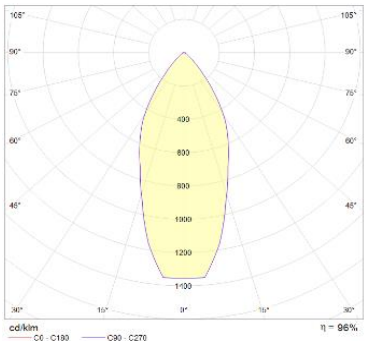
40° Optics



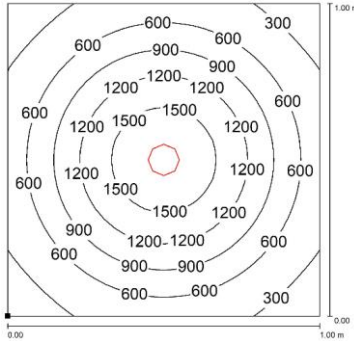
SR0921Q05



60° Optics



SR0921Q06



Distance graphic: 1m

MOUNTING OPTIONS

Product pictures	Description	Code product
------------------	-------------	--------------



Bracket-set in stainless-steel
Adjustment left and right rotation A = +90° /- 90°
Adjustment front and back inclination (B) = +90° /- 90°

SRQFX01

ORDER CODES

Model	Description
SR0921Q05	SIRIO Q, 40°, 16W, 12-24Vdc, Cable 10ft(3m)
SR0921Q0501	SIRIO Q, 40°, 16W, 12-24Vdc, Cable 10ft(3m) + Q SERIES, stainless steel swivel base bracket kit
SR0921Q06	SIRIO Q, 60°, 16W, 12-24Vdc, Cable 10ft(3m)
SR0921Q0601	SIRIO Q, 60°, 16W, 12-24Vdc, Cable 10ft(3m) + Q SERIES, stainless steel swivel base bracket kit
SRQFX01	SIRIO Q, stainless steel swivel base bracket kit